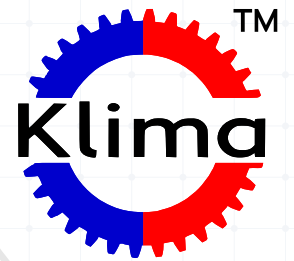
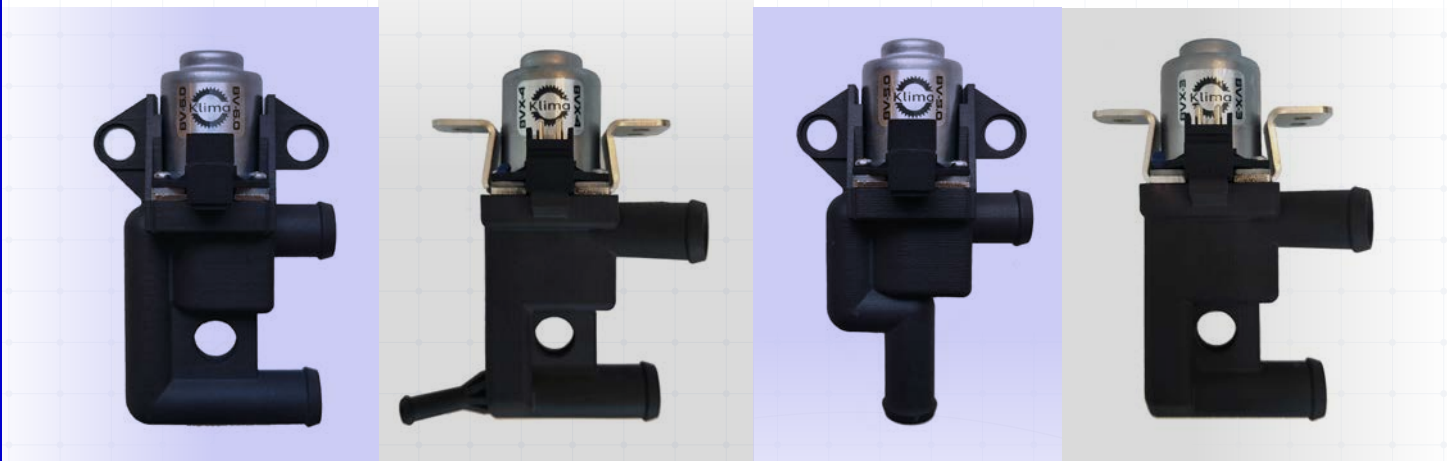


# BV/X Series



Replacement Heater  
Control Valves

Patent Pending



---

BV/X Series Replacement Heater Control Valves by Klima Design Works. Patent-pending designs replace Bosch Monovalve and Duovalve heater control valves found in a range of 1980s-1990s Mercedes, BMW E24 and E28 Series, Bentley / Rolls-Royce, Ferrari, and Volkswagen T4 EuroVans.

# PRODUCT Catalogue

---

# BV/X Series

heater control valves offer:

- **DROP-IN FIT.**  
Mounts up to original brackets, hoses, and electrical connections.
- **BETTER-THAN-NEW PERFORMANCE.**  
Faster climate control response time.
- **RELIABLE OPERATION.**  
Reliable at high engine RPMs, and extreme temps.
- **LONGEVITY.**  
Provides years of like-new performance with field-rebuildable internals.



# BV/X Series

valves are available for:

## Mercedes W123

with Automatic Climate Control III, MY 1981-198 (240D, 280CE, 300D, 300CD, 300TD & others). See product listing for details.

## Mercedes R107

with Automatic Climate Control III, MY 1981-1989 (380SL, 560SL & Others). See product listing for details.

## Mercedes W126

with Automatic Climate Control III, MY 1980-1991 (numerous models). Single and dual zone versions available. See product listing for details.

## BMW E24 & E28

with Monovalve, MY 1982-1988. See product listing for details.

## Ferrari

456GT, 512TR, F40, F50, F512M, Mondial 3.2, Mondial QV, Mondial T, Testarossa & others. See product listing for details.

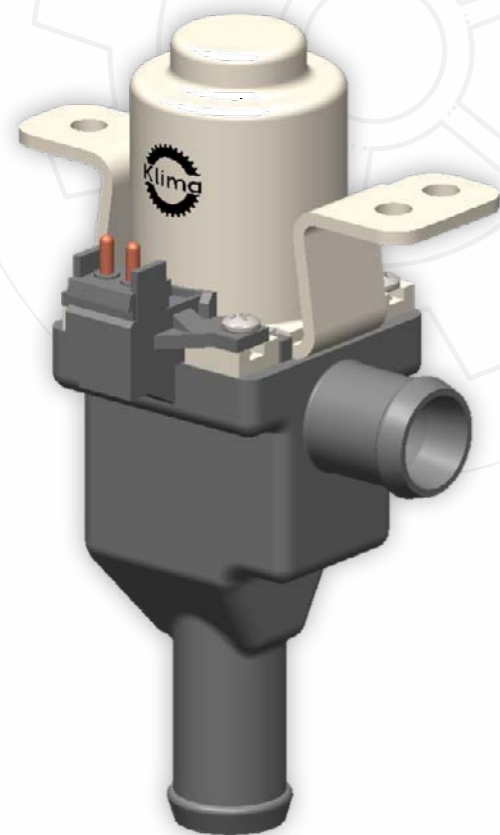
## Rolls-Royce and Bentley

Silver Spirit & Spur, Bentley SZ, Eight, Brooklands, Turbo R Models MY 1980-2003. See product listing for details.

## Volkswagen T4 EuroVan

See product listing for details.





## BVX-1

Mercedes W123 models

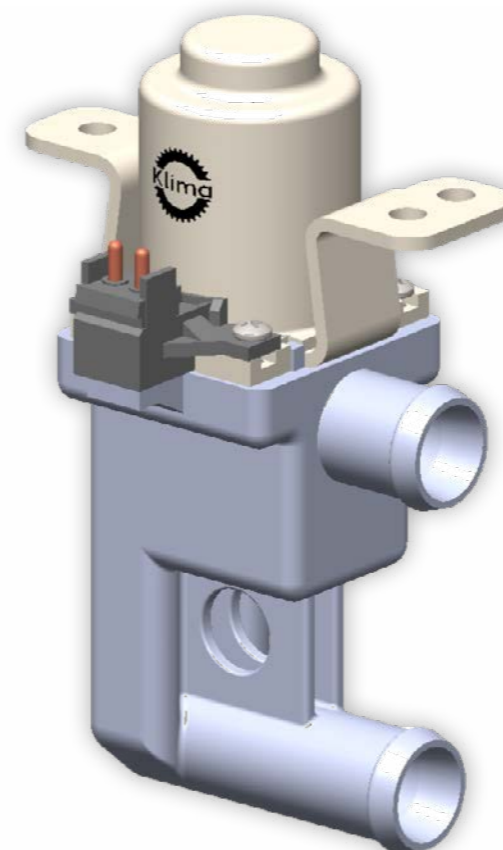
### Replaces OE Part Number:

MB A 000 830 29 84, MB A0008302984  
MB 0008302984, MB 000 835 06 44,  
A0008350644, Bosch 1147213007

### Vehicle List (Partial):

240D 1981-83, 280CE 1981-81, 280E 1981-81,  
300CD 1981-85, 300D 1981-85, 300TD 1981-85

**DOES NOT FIT 1985 CA EMISSIONS  
W/ TRAP OXIDIZER. USE BVX-CA**



## BVX-2

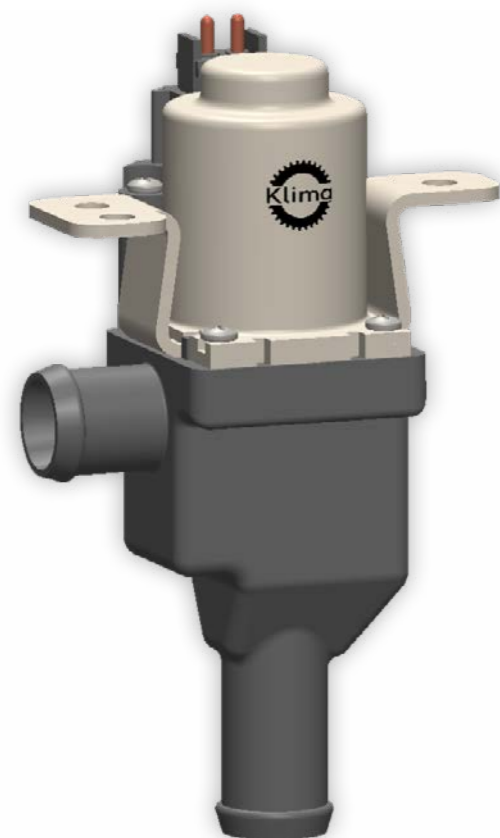
Mercedes R107 models

### Replaces OE Part Number:

MB A 000 830 34 84, MB A0008303484,  
MB 0008303484, MB 000 835 06 44,  
A0008350644, Bosch 1147213007

### Vehicle List (Partial):

560SL 1986-89, 380SL 1980-1985



## BVX-CA

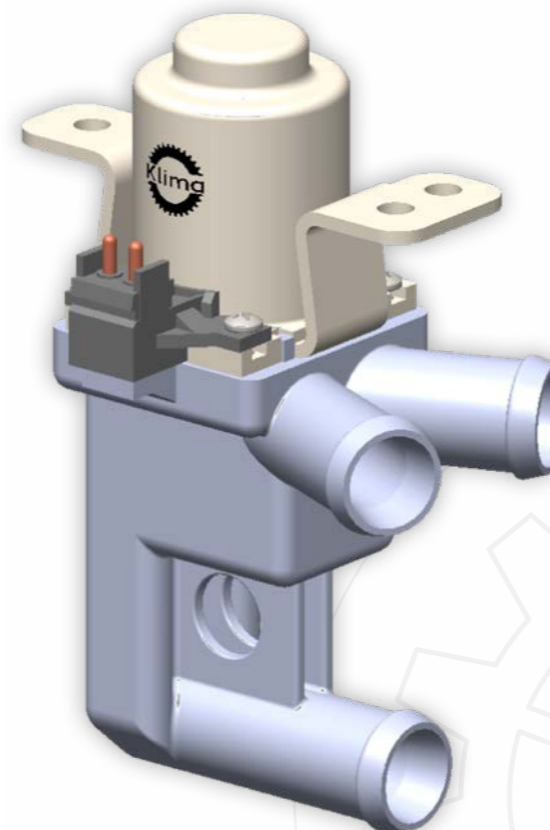
Mercedes W123 w/ CA Emissions

### Replaces OE Part Number:

MB A 000 830 29 84, MB A0008302984  
MB 0008302984, MB 000 835 06 44,  
A0008350644, Bosch 1147213007

### Vehicle List (Partial):

300CD 1985, 300D 1985, 300TD 1985



## BVX-3

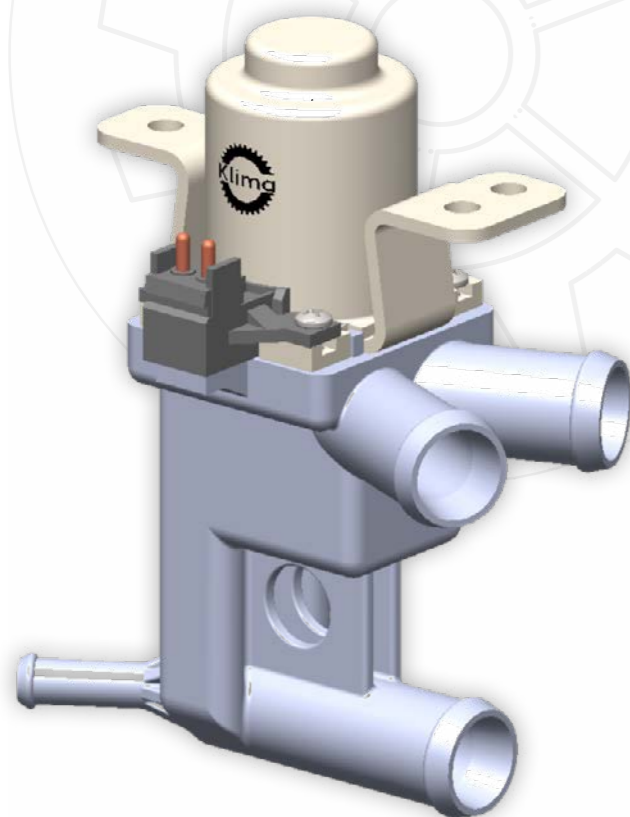
Mercedes W126 models with 3-barb housing (w/o heated windshield washer)

### Replaces OE Part Number:

MB A 000 830 18 84, MB A0008301884,  
MB 0008301884, MB 000 835 06 44,  
A0008350644, Bosch 1147213007

### Vehicle List (Partial):

By part number cross reference.  
Euro and other models.



## BVX-4

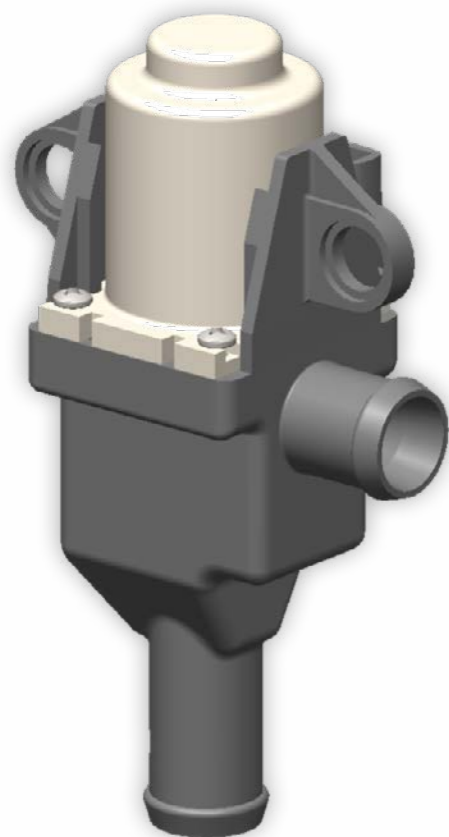
Mercedes **W126** models with 4-barb housing (w/ heated windshield washer reservoir)

### Replaces OE Part Number:

MB A 000 830 37 84, MB A0008303784, MB 0008303784, MB 000 835 06 44, A0008350644, Bosch 1147213007

### Vehicle List (Partial):

300SD 1981-85, 300SDL 1986-87, 300SE 1988-91, 300SEL 1988-91, 350SD 1991-91, 350SDL 1990-91, 380SE 1984-85, 380SEC 1982-83, 380SEL 1981-83, 420SEL 1986-91, 500SEC 1984-85, 500SEL 1984-85, 560SEC 1986-91, 560SEL 1986-91



## BVX-5

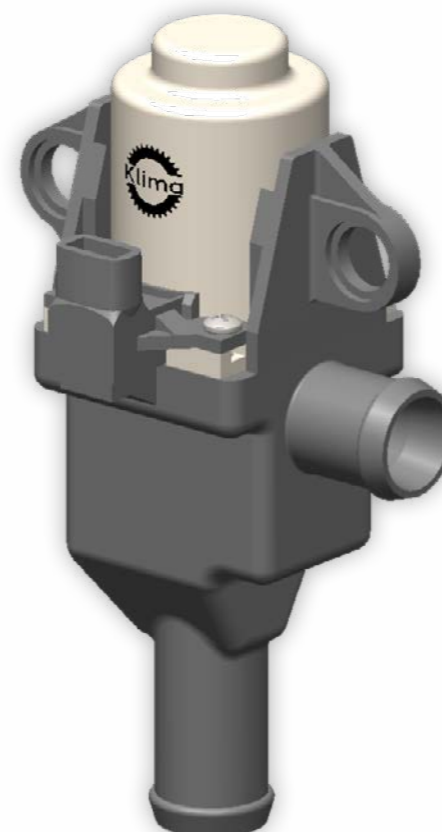
BMW **E24** and **E28** models with vertical output barb

### Replaces OE Part Number:

BMW 64111373191, Bosch 1147213007

### Vehicle List (Partial):

E28 528e 1982-1988, E28 524td 1985-86, E28 533i 1983-84, E28 535i 1985-88, E28 M5 1988, E24 633CSi 1980-82, E24 635CSi 1985-88, E24 M6 1987



## BVX-VW-1

VW Eurovan T4 (EARLY-STYLE)

### Replaces OE Part Number:

VW 701963375, Bosch 1147213007

### Vehicle List (Partial):

VW EuroVan T4 Models 1990-1999

## BVX-VW-2

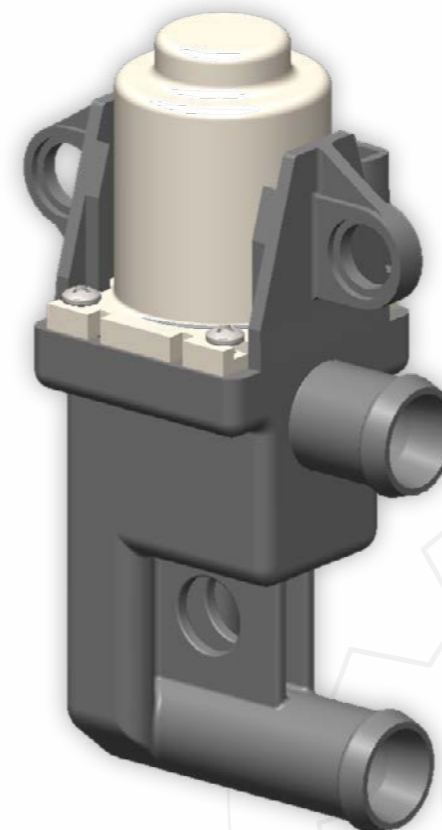
VW Eurovan T4 (LATER STYLE)

### Replaces OE Part Number:

VW 7D0963375, Pierburg 7.02256.06.0

### Vehicle List (Partial):

Volkswagen T4 Eurovan, Caravelle T4, 1999-2004.



## BVX-6

BMW **E28** Models with horizontal output barb.  
Ferrari, Rolls-Royce and Bentley

### Replaces OE Part Number:

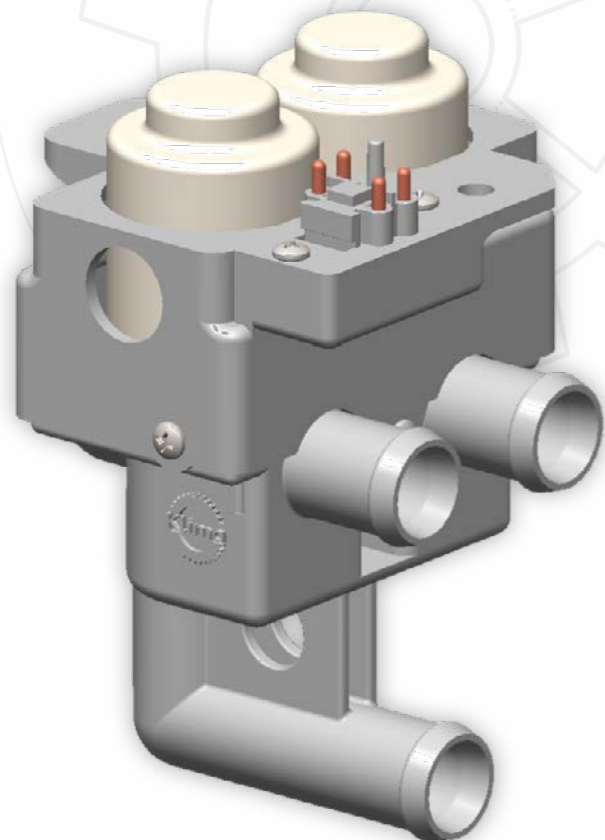
BMW 64111373188  
Ferrari 61079000  
Rolls-Royce and Bentley, UR27683, CD6683

### Vehicle List (Partial):

BMW E28 528e 1982-1988, E28 524td 1985-86  
Ferrari Mondial 3.2, Mondial QV, Mondial T, Testarossa  
Rolls-Royce and Bentley: Silver Spirit & Spur, Bentley SZ, Eight, Brooklands, Turbo R Models 1980-2003.

Use OE cross-reference for applicable models.





## BVX-7

Mercedes **R107** and **W126** models with 3-barb housing duo valve (w/o heated windshield washer reservoir)

### Replaces OE Part Number:

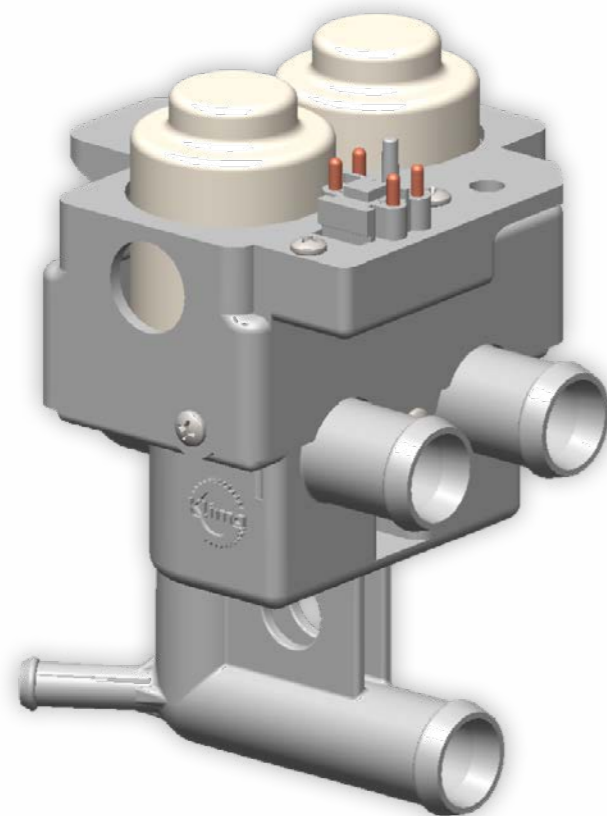
MB A 126 830 00 84, MB A1268300084,  
MB 1268300084

1147412004

MB 000 835 06 44, A0008350644,  
Bosch 1147213007

### Vehicle List (Partial):

By part number cross reference. Euro and other models.



## BVX-8

Mercedes **W126** models with 4-barb housing duo valve (with heated windshield washer)

### Replaces OE Part Number:

MB A 000 830 38 84, MB A0008303884,  
MB 0008303884

1147412011

MB 000 835 06 44, A0008350644,  
Bosch 1147213007

### Vehicle List (Partial):

By part number cross reference. Euro and other models.



## MBZ Auxiliary Water Pump

Includes Inline fuse to protect pushbutton unit.

### Replaces OE Part Number:

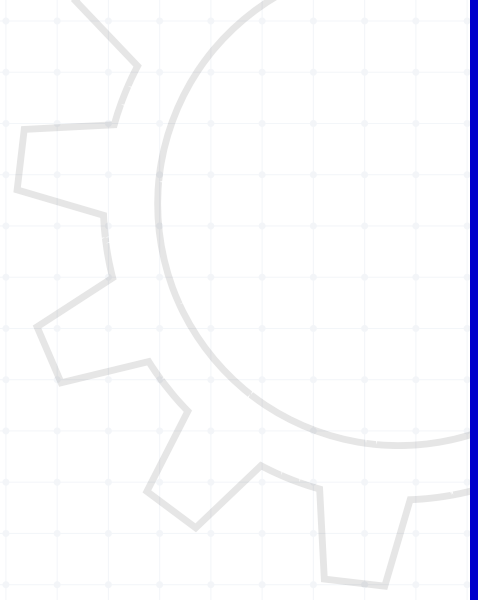
Bosch 0 130 002 071

MB 000 835 7064

### Vehicle List (Partial):

By part number cross reference in R107, W116, W123, W126 models.





[www.klimakit.com](http://www.klimakit.com)  
[www.monovalve.com](http://www.monovalve.com)  
[sales@klimakit.com](mailto:sales@klimakit.com)

VERSION 1.6 | Valid as of July 2023